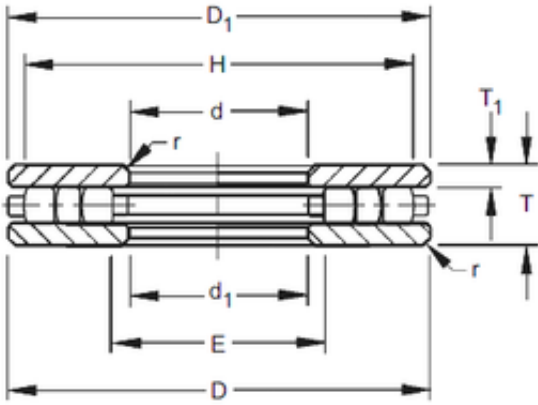




Hebei Hailan Bearing Manufacture Co.,...

160TP166 Timken Thrust Cylindrical Roller Bearing

Bearing No. 160TP166



160TP166 Bearing 2D drawings and 3D CAD models

Size	406.4x660.4x114.3 mm
Bore Diameter	406,4 mm
Outer Diameter	660,4 mm
Width	114,3 mm
d	406,4 mm
D	660,4 mm
T	114,3 mm
r max	6,4 mm
T1	31,75 mm
d1	409,6 mm
D1	657,2 mm
E	433,4 mm
H	633,4 mm